

REV.	DATE	COMMENTS
1	07/29/21	REVISED PER SCD & COUNTY COMMENTS
2	09/10/21	REVISED PER SCD & COUNTY COMMENTS
3	12/20/21	REVISED PER UPDATED LAYOUT
4	02/01/22	REVISED PER SCD COMMENTS
5	03/16/22	NEW REV PER BOROUGH COMMENTS
6	05/02/22	REVISED PER BOROUGH & SCD COMMENTS

THIS PLAN SET IS FOR PERMITTING PURPOSES ONLY AND MAY NOT BE USED FOR CONSTRUCTION

PROJECT: **CSH OLD TAPPAN, LLC**  
**PROPOSED ASSISTED LIVING FACILITY**  
 BLOCK 1606, LOT 3  
 244 OLD TAPPAN ROAD  
 BOROUGH OF OLD TAPPAN, BERGEN COUNTY, NEW JERSEY

**811** PROTECT YOURSELF  
 ALL STATES REQUIRE NOTIFICATION OF EXCAVATORS, DESIGNERS, OR ANY PERSON PREFERRING TO DESIGN THE EXACT SURFACE ANYWHERE IN ANY STATE  
 FOR STATE-SPECIFIC DIRECT PHONE NUMBERS VISIT: [WWW.CALL811.COM](http://WWW.CALL811.COM)

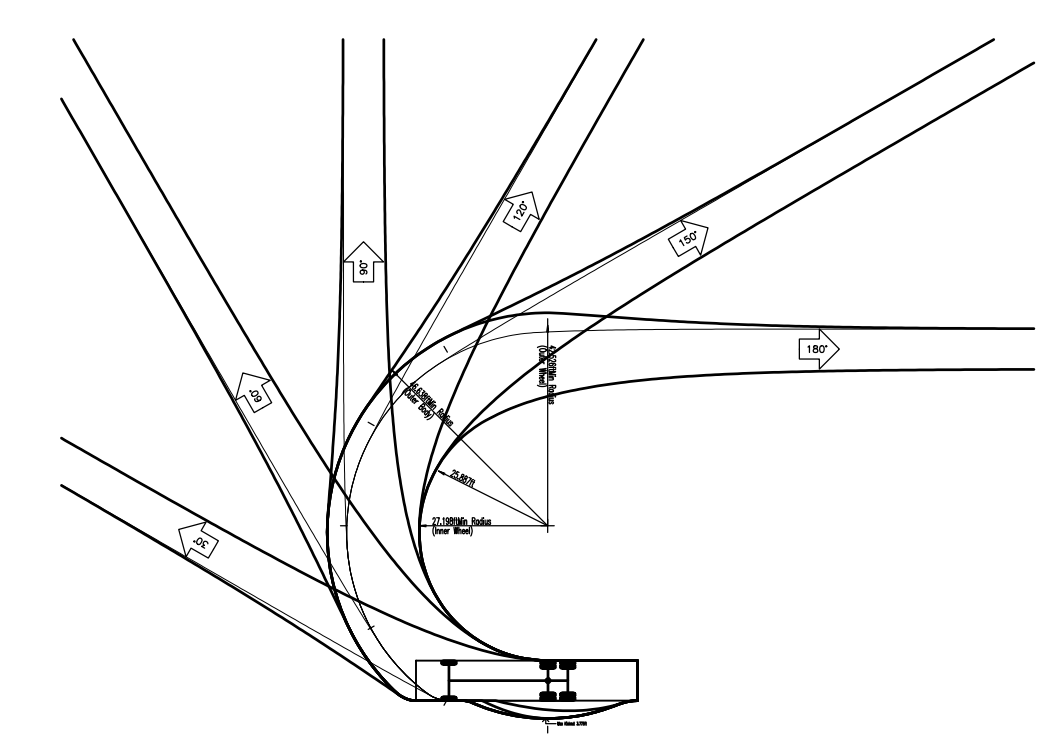
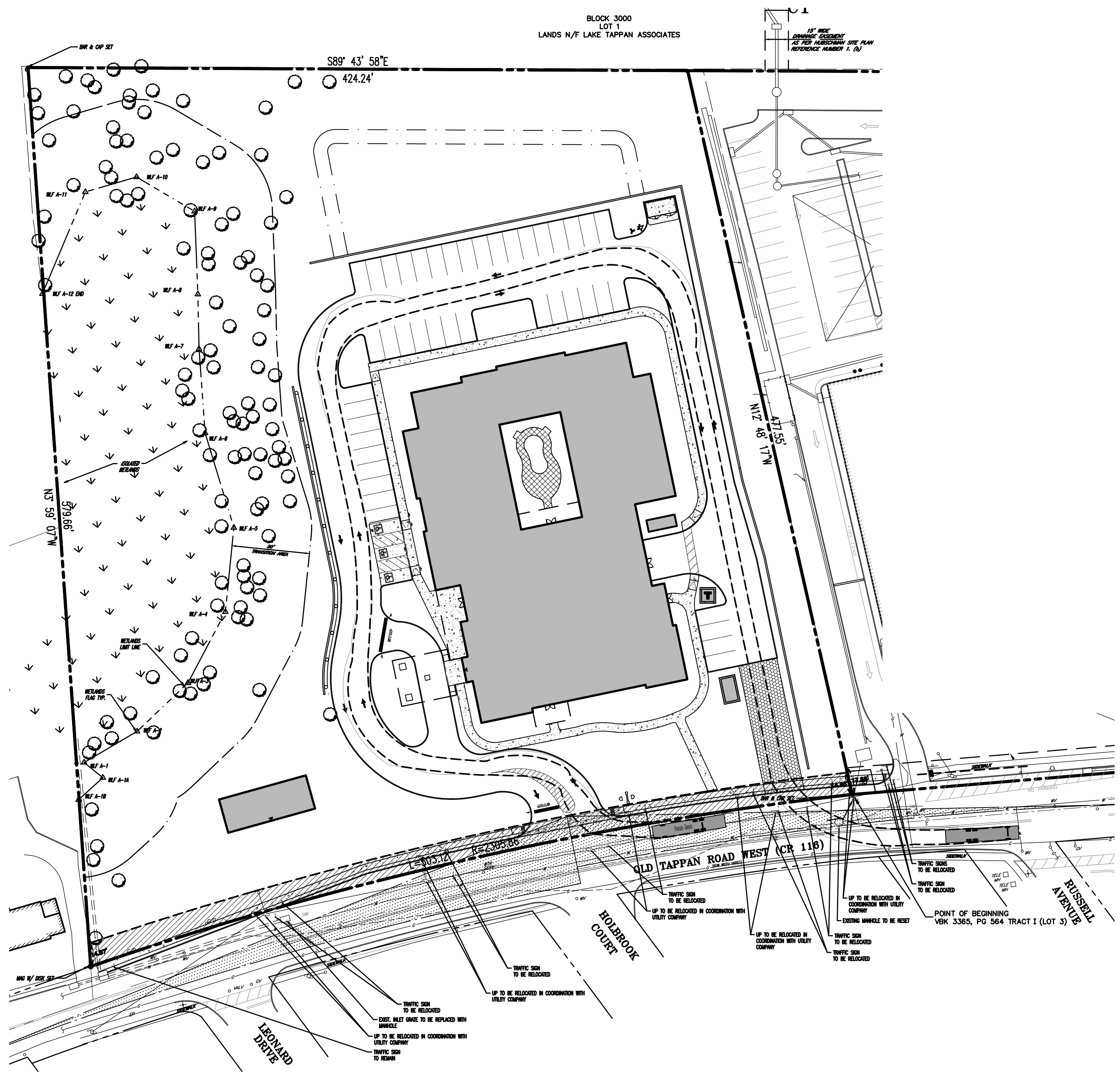
**DYNAMIC ENGINEERING**  
 LAND DEVELOPMENT CONSULTING • PERMITTING  
 GEOTECHNICAL • ENVIRONMENTAL  
 TRAFFIC • SURVEY • PLANNING & ZONING  
 245 Main Street, Suite 110  
 Chester, NJ 07930  
 T: 908.879.9229 | F: 908.879.0222  
 Offices conveniently located at:  
 Littleton, New Jersey • 1.762.914.9100  
 Chester, New Jersey • 1.908.879.9229  
 New York, New Jersey • 1.973.759.7200  
 Long Hill, New Jersey • 1.762.914.9100  
 New York, Pennsylvania • 1.212.485.0278  
 Philadelphia, Pennsylvania • 1.215.253.4888  
 Allentown, PA • 1.717.254.2100  
 Houston, Texas • 1.281.789.4800  
 Dallas, Texas • 1.214.644.9100  
 Derby Beach, Florida • 1.561.911.8070

**DANIEL T. SEHNAL**  
 PROFESSIONAL ENGINEER  
 NEW JERSEY LICENSE No. 53572

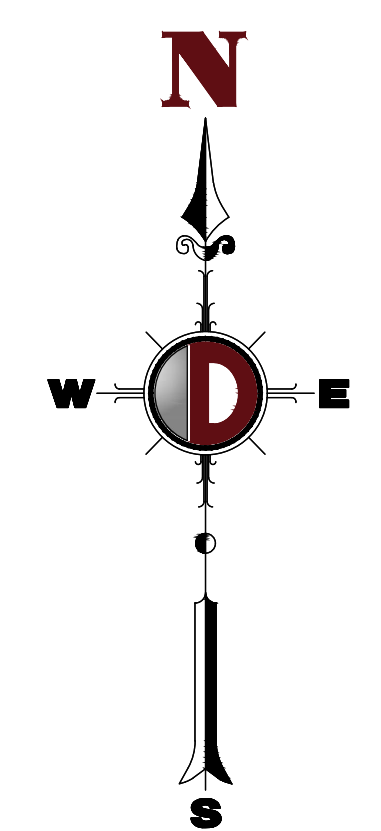
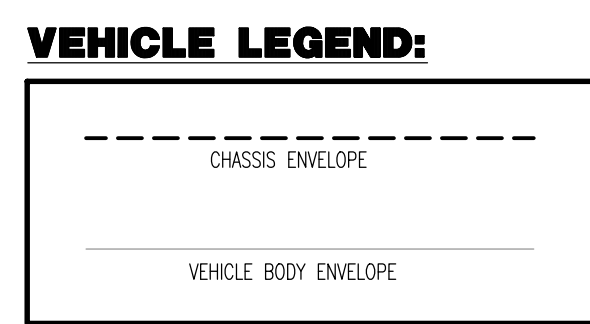
**JOSEPH G. JAWORSKI**  
 PROFESSIONAL ENGINEER  
 NEW JERSEY LICENSE No. 36618

TITLE: **VEHICLE TURNING PLAN**

SCALE: (H) AS SHOWN (V) DATE: 05/18/2021  
 PROJECT No: 1423-99-006  
 SHEET No: **19** OF 20 Rev. #: 6



Firetruck - Generic	47.000ft
Overall Length	26.000ft
Overall Body Height	10.000ft
Min Body Ground Clearance	6.000ft
Track Width	8.000ft
Lock-to-lock time	0.000s
Max Wheel Angle	0.000deg



**FIRETRUCK TURNING PLAN**