

REV.	DATE	COMMENTS
10	09/26/22	REVISED PER ENGINEERING COMMENTS
9	08/30/22	REVISED PER BOROUGH COMMENTS
8	07/11/22	REVISED PER BOROUGH COMMENTS
7	06/15/22	REVISED PER COUNTY COMMENTS
6	05/02/22	REVISED PER BOROUGH & SCD COMMENTS
5	03/16/22	NEW REV PER BOROUGH COMMENTS
4	02/01/22	REVISED PER SCD COMMENTS
3	12/20/21	REVISED PER UPDATED LAYOUT
2	09/10/21	REVISED PER SCD & COUNTY COMMENTS
1	07/29/21	REVISED PER SCD & COUNTY COMMENTS

THIS PLAN SET IS FOR PERMITTING PURPOSES ONLY AND MAY NOT BE USED FOR CONSTRUCTION

DESIGNED BY: JD  
 CHECKED BY: JD  
 DTS

PROJECT: **CSH OLD TAPPAN, LLC**  
**PROPOSED ASSISTED LIVING FACILITY**  
 BLOCK 1606, LOT 3  
 244 OLD TAPPAN ROAD  
 BOROUGH OF OLD TAPPAN, BERGEN COUNTY, NEW JERSEY

**811** PROTECT YOURSELF  
 ALL STATES REQUIRE NOTIFICATION OF EXCAVATORS, DESIGNERS, OR ANY PERSON PREFERRING TO DESIGN THE EXACT SURFACE ANYWHERE IN ANY STATE.  
 FOR STATE-SPECIFIC DIRECT PHONE NUMBERS VISIT: [WWW.CALL811.COM](http://WWW.CALL811.COM)

**DYNAMIC ENGINEERING**  
 LAND DEVELOPMENT CONSULTING • PERMITTING  
 GEOTECHNICAL • ENVIRONMENTAL  
 TRAFFIC • SURVEY • PLANNING & ZONING  
 245 Main Street, Suite 110  
 Chester, NJ 07930  
 T: 908.879.9229 | F: 908.879.0222  
 Offices conveniently located at:  
 Littleton, New Jersey • 1.762.914.1010  
 Chester, New Jersey • 1.908.879.9229  
 Stone Hill, New Jersey • 1.762.914.1010  
 New York, Pennsylvania • 1.212.485.0278  
 Philadelphia, Pennsylvania • 1.215.253.4888  
 Allentown, PA • 1.717.254.2100  
 Houston, Texas • 1.281.789.4800  
 Austin, Texas • 1.214.844.9494  
 Denver, Colorado • 1.303.444.9494  
 Dallas, Texas • 1.972.914.1010

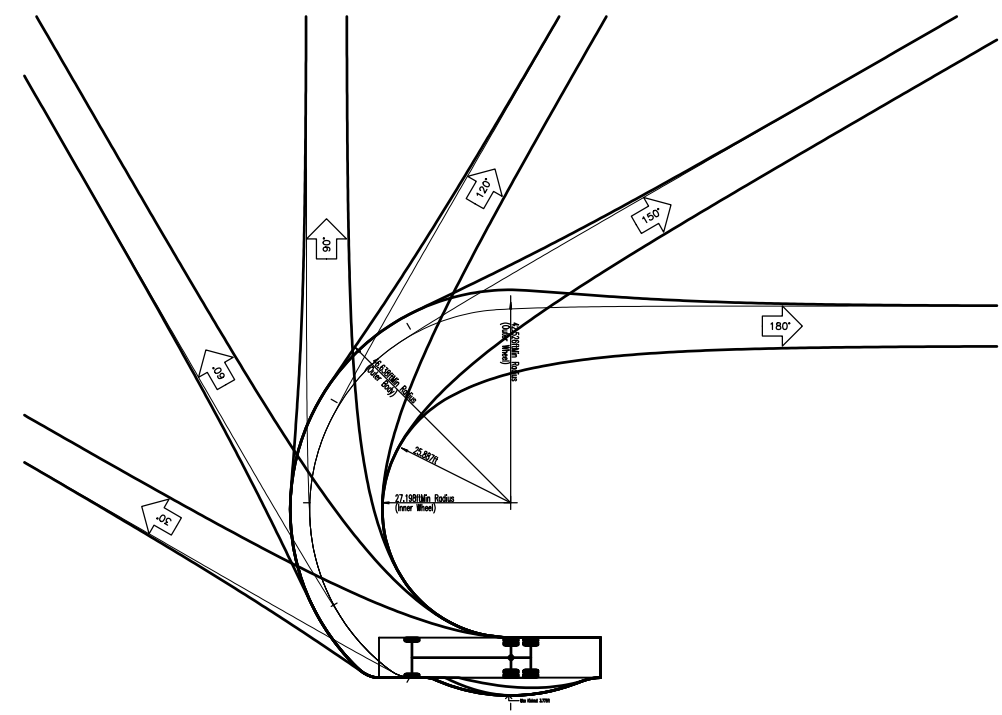
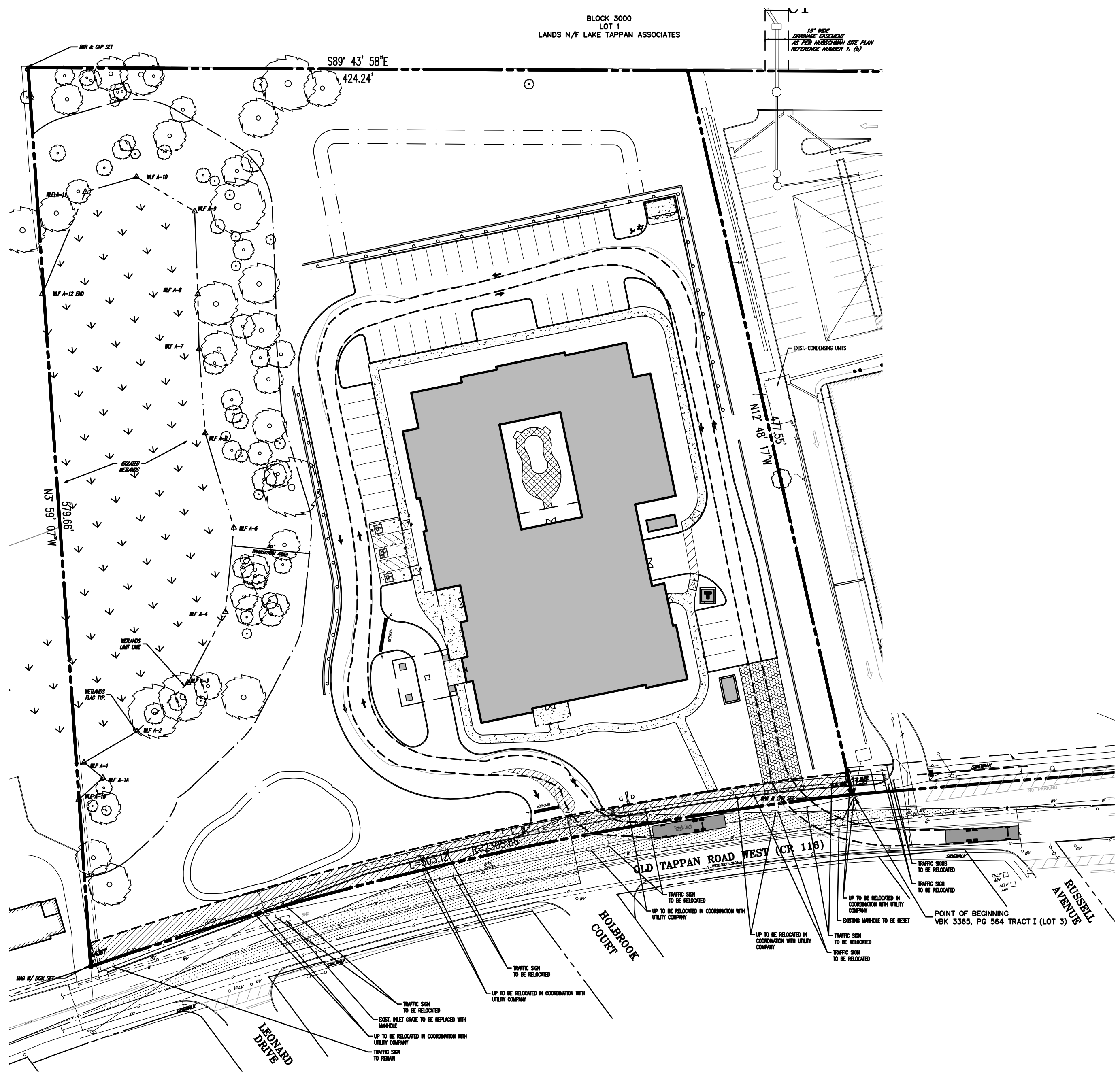
**DANIEL T. SEHNAL**  
 PROFESSIONAL ENGINEER  
 NEW JERSEY LICENSE No. 53572

**JOSEPH G. JAWORSKI**  
 PROFESSIONAL ENGINEER  
 NEW JERSEY LICENSE No. 36618

TITLE: **VEHICLE TURNING PLAN**

SCALE: (H) AS SHOWN (V) DATE: 05/18/2021  
 PROJECT No: 1423-99-006

SHEET No: **19** OF 20 Rev. #: 10



Firetruck - Generic	47.000ft
Overall Length	26.000ft
Overall Body Height	10.000ft
Min Body Ground Clearance	6.000ft
Track Width	8.000ft
Lock-to-lock time	0.000s
Max Wheel Angle	0.000deg

**VEHICLE LEGEND:**

--- CHASSIS ENVELOPE

— VEHICLE BODY ENVELOPE

