

DYNAMIC
ENGINEERING
SURVEY • TRAFFIC

REV.	DATE	COMMENTS
1	07/29/21	REVISED PER SCD & COUNTY COMMENTS
2	09/10/21	REVISED PER SCD & COUNTY COMMENTS
3	12/20/21	REVISED PER UPDATED LAYOUT

THIS PLAN SET IS FOR PERMITTING PURPOSES ONLY AND MAY NOT BE USED FOR CONSTRUCTION

DESIGNED BY: JD DTS
CHECKED BY: JD DTS

PROJECT: **CSH OLD TAPPAN, LLC**
PROPOSED ASSISTED LIVING FACILITY
BLOCK 1606, LOT 3
244 OLD TAPPAN ROAD
BOROUGH OF OLD TAPPAN, BERGEN COUNTY, NEW JERSEY

811 PROTECT YOURSELF
ALL STATES REQUIRE NOTIFICATION OF EXCAVATORS, DESIGNERS, OR ANY PERSON PREPARING TO DIG INTO THE EARTH'S SURFACE ANYWHERE IN ANY STATE.
FOR STATE SPECIFIC DIRECT PHONE NUMBERS VISIT: WWW.CALL811.COM

DYNAMIC ENGINEERING
LAND DEVELOPMENT CONSULTING • PERMITTING
GEOTECHNICAL • ENVIRONMENTAL
TRAFFIC • SURVEY • PLANNING & ZONING
245 Main Street, Suite 110
Chester, NJ 07930
T: 908.879.9229 | F: 908.879.0222
Offices conveniently located at:
Littleton, New Jersey • 1.762.914.9100
Cherry Hill, New Jersey • 1.908.879.9229
Newark, New Jersey • 1.973.759.7200
Somers Hill, New Jersey • 1.202.942.9100
Newtown, Pennsylvania • 1.212.485.0278
Pittsburgh, Pennsylvania • 1.724.233.4888
Allen, Texas • 1.972.534.2100
Houston, Texas • 1.281.789.4800
Arling, Texas • 1.214.844.9100
Daly City, California • 1.510.971.8070

www.dynamiccec.com

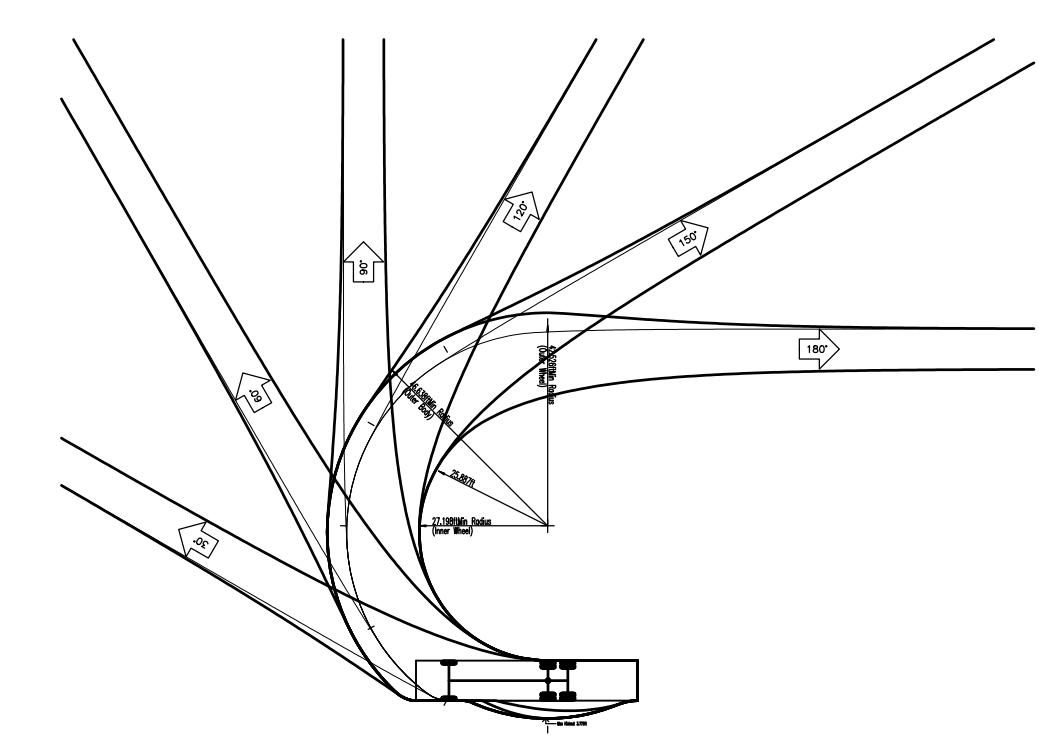
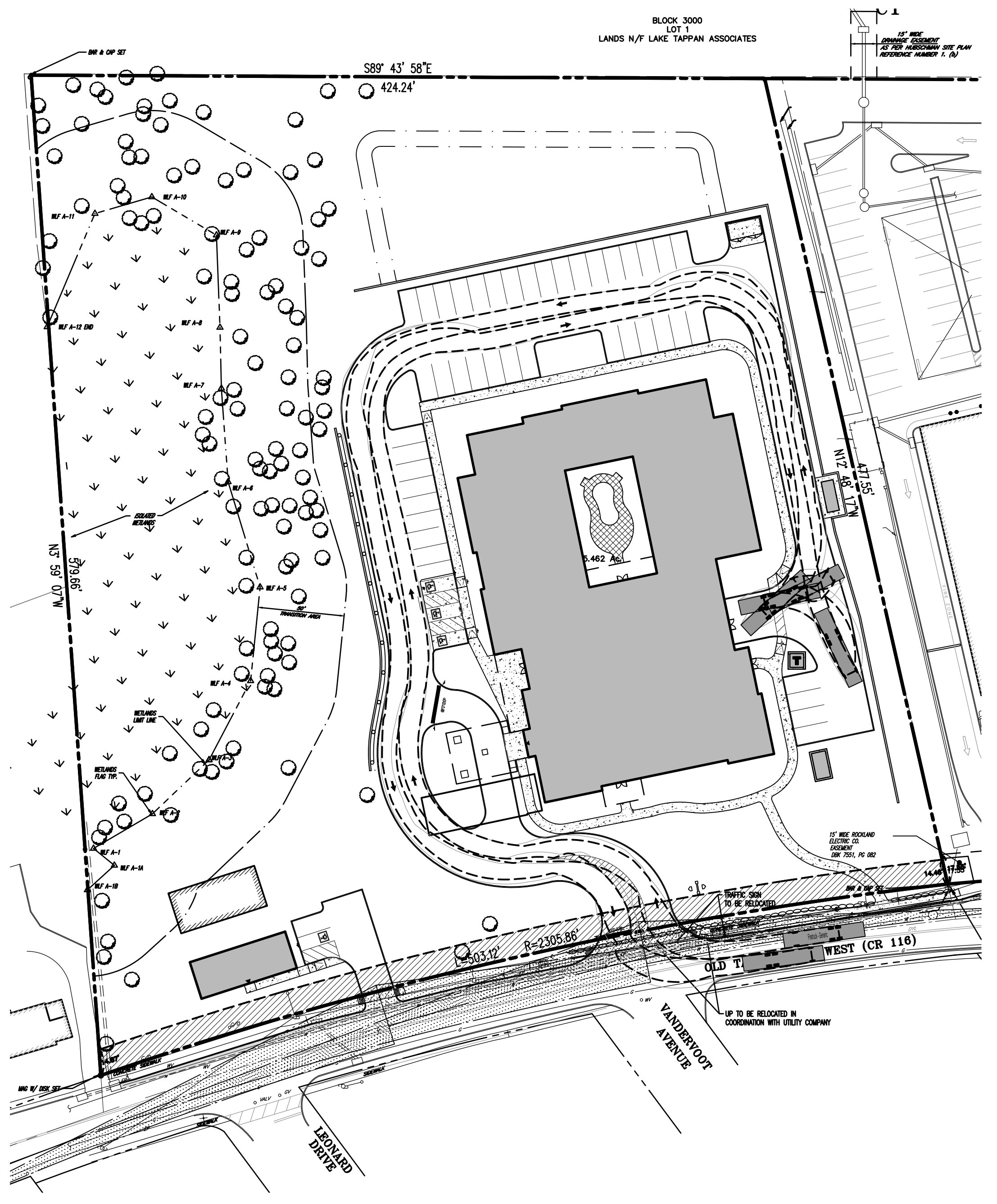
DANIEL T. SEHNAL
PROFESSIONAL ENGINEER
NEW JERSEY LICENSE No. 53572

JOSEPH G. JAWORSKI
PROFESSIONAL ENGINEER
NEW JERSEY LICENSE No. 36618

TITLE: **VEHICLE TURNING PLAN**

SCALE: (H) AS SHOWN (V) DATE: 05/18/2021
PROJECT No: 1423-99-006

SHEET No: **19** OF 20 Rev. #: 3



Firetruck - Generic	47.000ft
Overall Length	26.000ft
Overall Body Height	8.000ft
Min. Body Ground Clearance	0.500ft
Track Width	6.000ft
Lock-to-lock time	0.500s
Max. Wheel Angle	0.500s

